

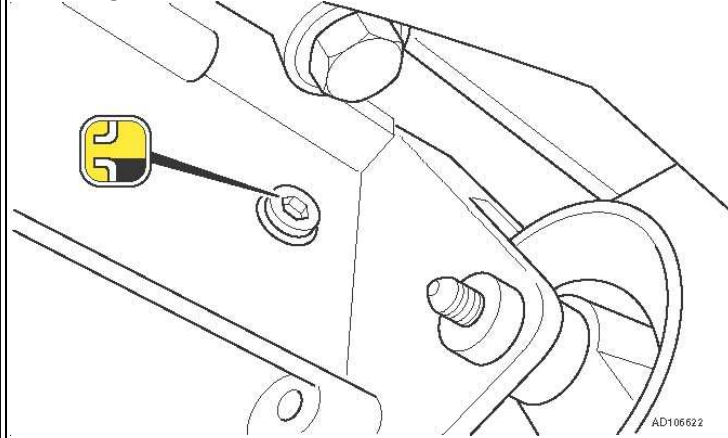
Telephone:
Fax:
VAT Registration No.:

Name:
Address:

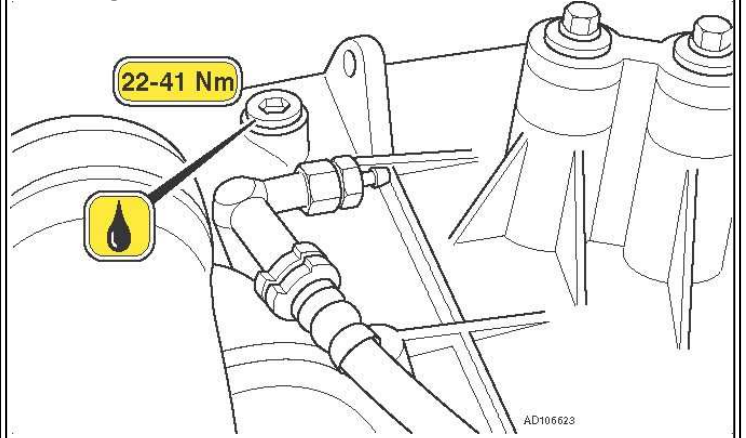
Manufacturer: Fiat
Model:
Year: 2007
Registration:
Mileage:
Job number:
Date

Tel - Private:
Tel - Business:
Tel - Mobile

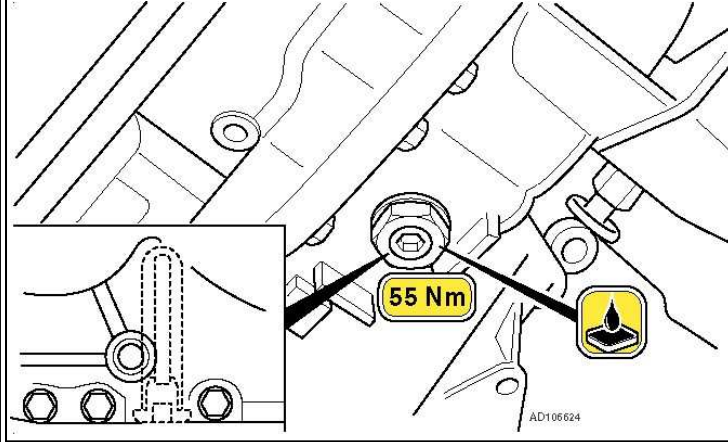
Manual gearbox



Manual gearbox



Automatic transmission



Automatic transmission

