

PRODUCT INFORMATION FOR POWERFLEX MOTORSPORT UNIVERSAL RANGE OF BUSHES

POWERFLEX Motorsport bushes have been developed to fulfil the demands of motorsport engineers and specialist car builders, both amateur and professional.

These bushes are manufactured solely with performance in mind for those who demand the very best.

They are available in a range of universal sizes enabling the engineer to design and manufacture the component to the bush or modify the bush to the component.

They are supplied in a black Shore A, 80 material, which is durable enough for high stresses but does allow the slight deflections and misalignments, which occur during suspension movement. There are three types of kit available. The 100 Series kits consist of three components, the 200 Series, two components and the 300 Series, two also.

100 Series: Two "top-hat" polyurethane components and one stainless steel sleeve. The sleeve is supplied over-length and with a pilot bore only. The sleeve can then be machined to length and drilled to the correct bolt size for fitment. The 200 Series kits are two POWERFLEX "washers".

The 300 Series consists of two universal anti roll bar mounts.

Typical applications for the 100 Series range are:

- Swinging arm location.
- Wishbone ends.
- Shock absorber "eye" mounts.
- Engine steady bars
- Axle location

Typical applications for the 200 Series range are:

- Body panel spacers
- Shock absorber top mounts
- Vibration absorbing washers
- Shock absorber travel limiters

Typical applications for the 300 Series range are:

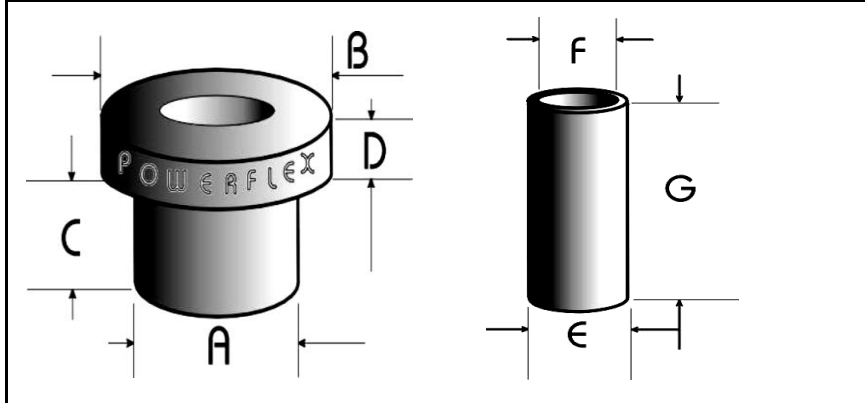
- Anti-roll bar mount

This range of bushes has been developed so that additional machining to size can be carried if required.

100 - 200 - 300 SERIES UNIVERSAL RANGE

100 Series "Top-Hat" bushes

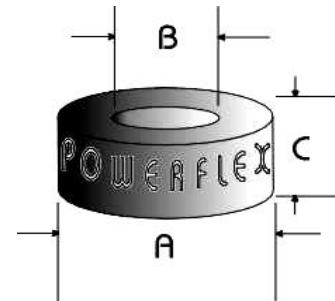
PART NUMBER	A O/D	B O/D	C HEIGHT	D HEIGHT	E O/D	F BORE	G HEIGHT	KIT PRICE
PF99-101	24mm	31.5mm	32mm	4mm	16mm	8mm	75mm	£15.35
PF99-102	28mm	34mm	32mm	7mm	16mm	8mm	75mm	£15.35
PF99-103	30mm	37mm	32mm	7mm	16mm	8mm	75mm	£15.35
PF99-104	35mm	43mm	32mm	7mm	16mm	8mm	75mm	£15.35
PF99-105	1.020"	1.700"	1.260"	0.280"	16mm	8mm	3.50"	£15.35
PF99-106	1.250"	1.700"	1.260"	0.280"	16mm	8mm	3.50"	£15.35
PF99-107	1.500"	1.700"	1.260"	0.280"	16mm	8mm	3.50"	£15.35
PF99-108	21mm	31.5mm	32mm	4mm	13mm	8mm	60mm	£15.35



200 Series "Washer" bushes

Two "washers" per part number

PART NUMBER	A O/D	B BORE	C HEIGHT	PRICE PER PAIR
PF99-201	20mm	6mm	10mm	£7.65
PF99-202	25mm	6mm	10mm	£7.65
PF99-203	35mm	6mm	10mm	£7.65
PF99-204	50mm	15mm	17mm	£7.65
PF99-205	50mm	15mm	32mm	£7.65
PF99-206	75mm	25mm	32mm	£7.65



PF99-110	25.5mm	0.5"	50mm	£10.95	inc stainless steel sleeve
----------	--------	------	------	--------	----------------------------

300 Series "Anti-roll bar" bushes

PART NUMBER	A WIDTH	B BORE	C DEPTH	D HEIGHT	PRICE PER PAIR
PF99-302	32mm	12mm	22mm	30mm	£14.25
PF99-303	32mm	14mm	22mm	30mm	£14.25
PF99-304	32mm	16mm	22mm	30mm	£14.25
PF99-305	32mm	18mm	22mm	30mm	£14.25
PF99-306	32mm	20mm	22mm	30mm	£14.25
PF99-307	32mm	22mm	22mm	30mm	£14.25

300 SERIES BUSHES ARE PRICES PER PAIR

