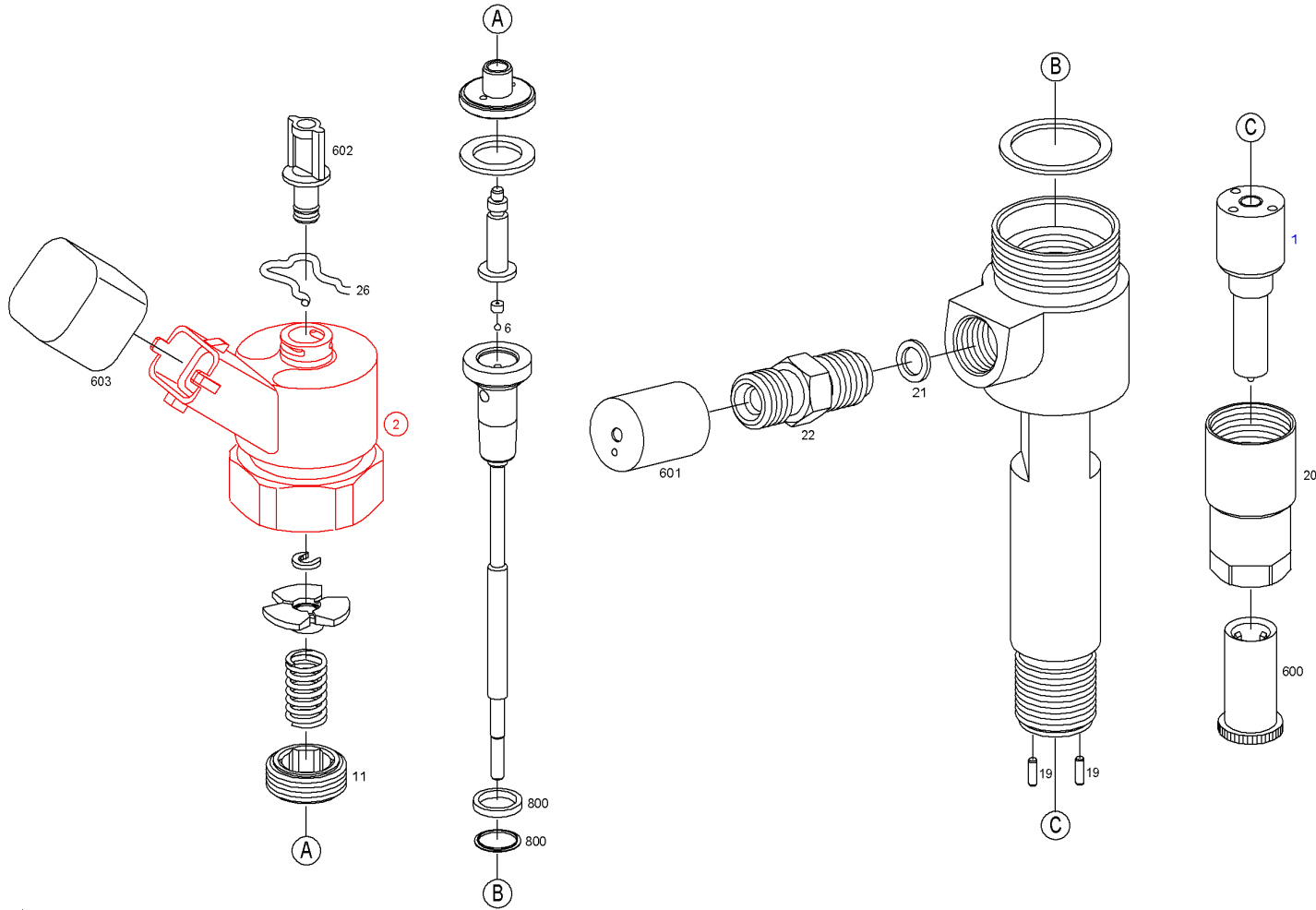




Replacing Parts

Product 0 445 110 119 - Injector (CR system) - CR/IPS19/ZEREK10S



Replacing Parts

0 445 110 119 - Injector (CR system) - CR/IPS19/ZEREK10S

2.12.2009 r.

21:59:02

Position	Order number	Info	Quantity	Designation
1	0 433 175 386	A	1	HOLE-TYPE NOZZLE
2		Z	1	MAGNET ASSEMBLY
6	F 00V C05 001	B	1	VALVE BALL
11	F 00V C13 010	A	1	STRAINING SCREW
11	F 00V C13 002	A	1	STRAINING SCREW
18		Z	1	THRUST MEMBER
19	2 433 201 024	A	2	STRAIGHT PIN
20	F 00V C14 012	A	1	NOZZLE-RETAINING NUT
21	F 00V C17 002	A	1	GASKET
22	F 00V C16 009	A	1	FITTING
26	F 00V C22 003	A	1	CLAMPING SADDLE
600	6 000 900 262	B	1	PROTECTIVE CAP
601	6 000 900 225	B	1	PROTECTIVE CAP
602	6 000 900 318	B	1	PROTECTIVE CAP
602	6 000 610 018	B	1	PROTECTIVE CAP
603	6 000 900 359	B	1	PROTECTIVE CAP
800	F 00V C99 002	A	1	PARTS SET SEAL RING

Explanations

A	Wear part
B	Service part
Z	Not a service part