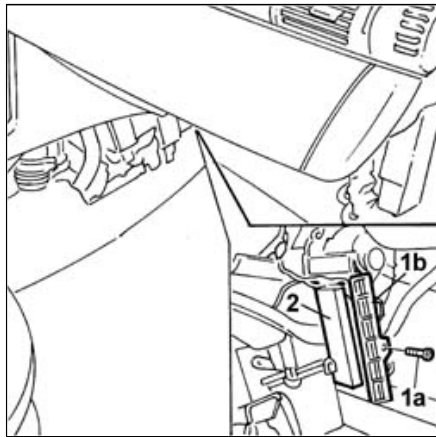


Stilo ventilation system outside air purifying filter (antipollen) - r+r 5010B08



Removing ([Refitting](#))

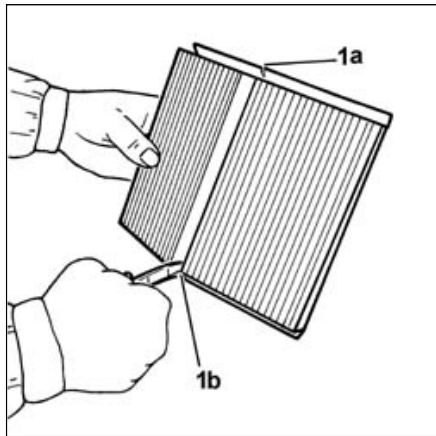
- **7040A19 cushion padding - r r**

- **7040A65 passenger compartment box lock , one , r r**

1. Undo the fixing bolt (1a), then release the pollen filter housing cover (1b) from the retaining clips.

Remove the cover.

2. Extract the pollen filter.

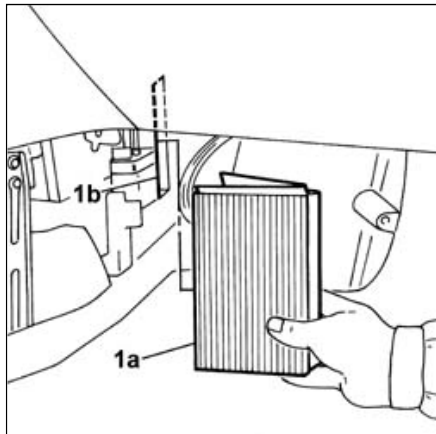


Refitting ([Removing](#))

1. Post-modification pollen filters (available shortly from the Parts Dept.) are already pre-cut. Pre-modification filters have to have a cut made in the upper surface (1a) and the lower surface (1b) as illustrated in the diagram. This procedure is necessary to facilitate the operations of fitting the pollen filter inside the housing.

1. Bend the pollen filter (1a) as illustrated in the diagram, then introduce the filter in its housing (1b) inserting the firsthalf and then the second so that it is fully fitted.

Take care to position the filter correctly.



Position the filter housing cover and fasten it using the retaining clips, then tighten the fixing bolt.

- **7040A65 passenger compartment box lock , one , r r**

- **7040A19 cushion padding - r r**